



**HITEC
METAL
SDN. BHD.**
(320497-M)



Special Features of HITEC METAL PEB Framing System



Bolt Threading Machine



Ten Torch Oxy Cutting Drive-Pen



Ten Torch Oxy Cutting Drive-Pen



Oxy Cutting Machine



Tacking Station

- Up to 85 m clear span
- Extra-high ceiling heights
- Extreme load requirements
- Roof slope of 2° to 45° degrees
- Capable for crane system
- Capable for piperack & hoistrack

ADVANCED DESIGN SYSTEM

...WITH MAXIMUM DESIGN FLEXIBILITY

SPECIALISE IN

Design & Built Pre-Engineered Building Framing System

- Industrial building
- Hypermarket
- Storage warehouse
- Canopy structure
- Factory building
- Sports hall
- Aircraft hangars
- Steel platform

OUR WINNING EDGE

Cost Effective

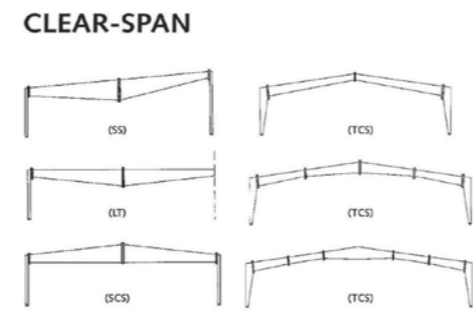
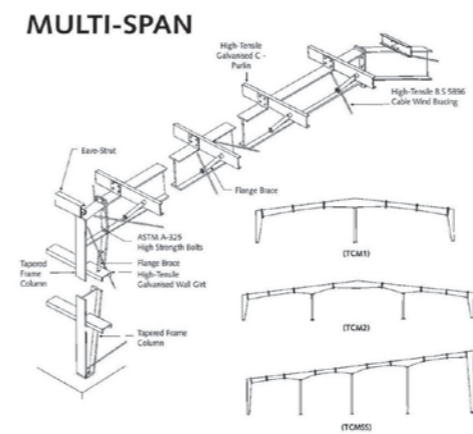
Optimized design results in cost savings in steel components and raw material.

Speed

Pre-engineered components result in faster built-up and erection time.

Quality

Pre-engineered for high-quality consistency using reliable professional services.



		BUILDING WIDTH	SIDEWALL HEIGHT
	Multi-Span		
(TCM1)	Tapered Column Modular One Interior Column	18m - 100m	3.5m - 12m and over
(TCM2)	Tapered Column Modular Two Interior Column	28m - 120m	3.5m - 12m and over
(TCMSS)	Tapered Column Multi-Span Single Slope	20m - 160m	3.5m - 12m and over
	Clear-Span		
(SS)	Straight Column Single Slope	4.5m - 22m	3m - 9m
(LT)	Straight Column Lean To	3m - 22m	2.4m - 9m
(SCS)	Straight Column Clear Span	6m - 22m	3m - 9m
(TCS)	Tapered Column Clear Span	6m - 30m	3.5m - 12m and over
(TCS)	Tapered Column Clear Span - Two Piece Rafter	12m - 85m	3.5m - 12m and over
(TCS)	Tapered Column Clear Span - Three Piece Rafter	12m - 85m	3.5m - 12m and over

BEYOND THE CONVENTIONAL



HITEC METAL SDN. BHD. (320497-M)

Office:

No. 17-2, Jalan Tasik Utama 8,
Medan Niaga Tasik Damai,
57000 Sungai Besi
Kuala Lumpur

Tel **03-9055 3010**
(Hunting Line)

Fax **03-9055 3101**
03-9055 3121

Website www.hitecmetal.com.my
E-mail enquiry@hitecmetal.com.my